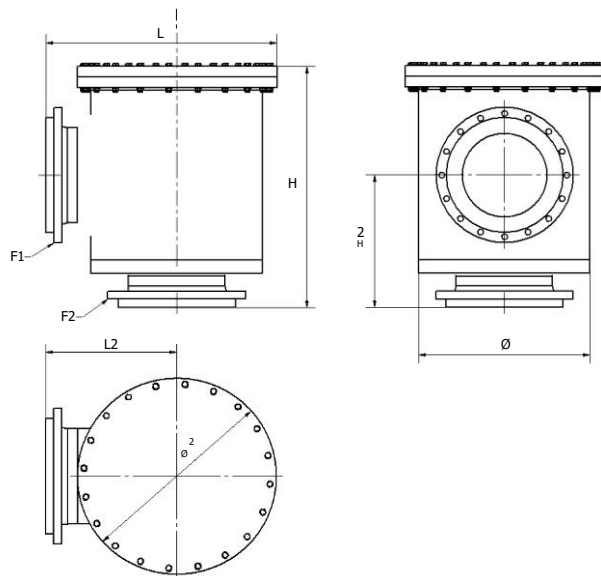


PE - FILTER

Durable filter in PE plastic goods. PE has unique properties in harsh environments and has been shown to outperform other materials. The filter is normally supplied with PEstrainer, but this can be supplied in stainless steel as required for finer filtration..



Other sizes are available at request.

Size	Ø	Ø2	F1 og F2	L	L2	H	H2	Weight
DN 150	355	455	DN 150	492	260	710	365	40 kg
DN 200	400	480	DN 200	555	315	800	416	60 kg
DN 250	500	580	DN 250	690	400	860	456	80 kg
DN 300	630	730	DN 300	835	470	900	480	115 kg
DN 350	630	730	DN 350	835	470	1100	570	125 kg